

5V Output (WS2812)

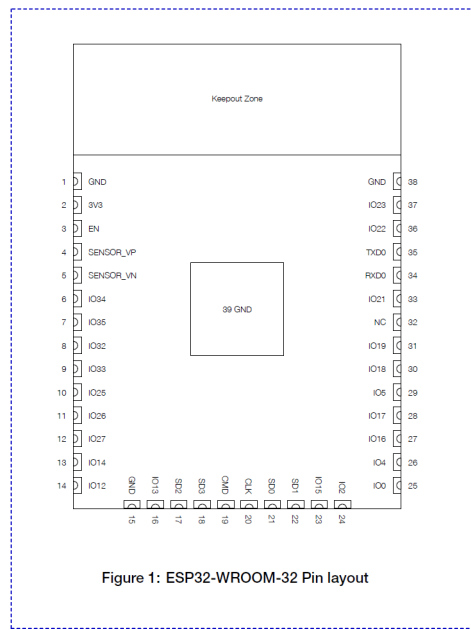
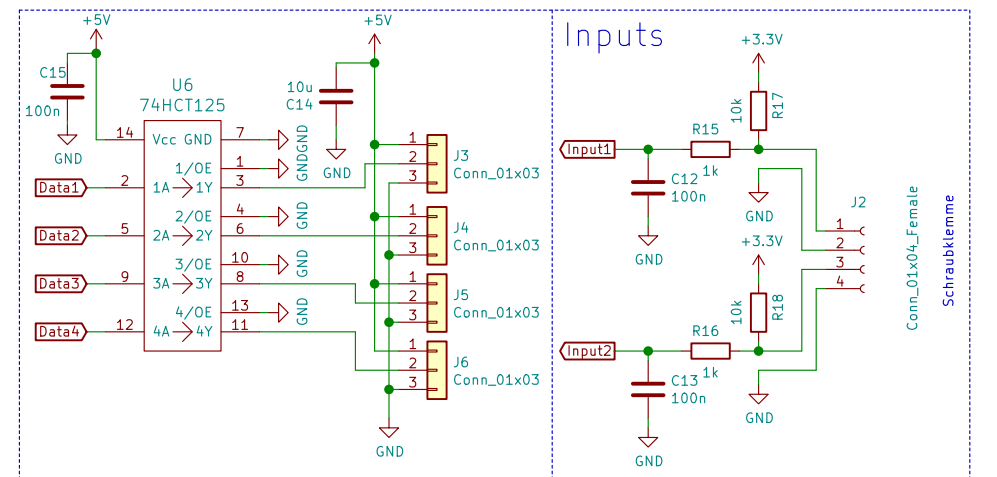
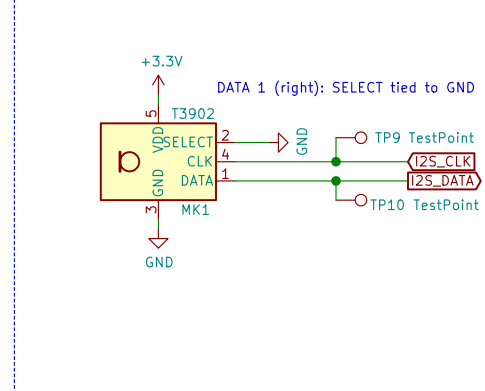
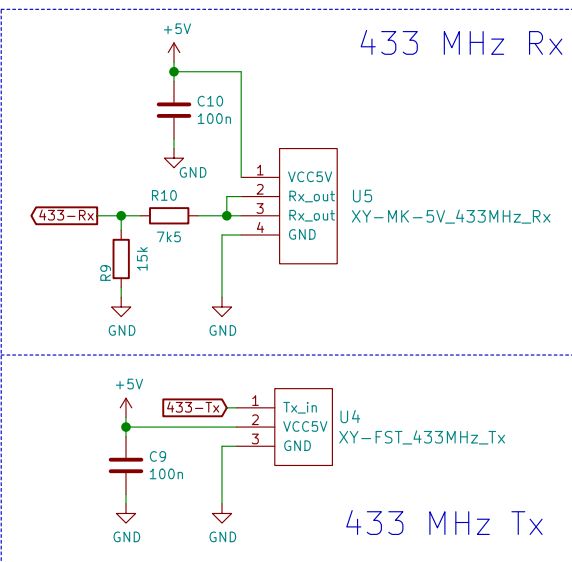
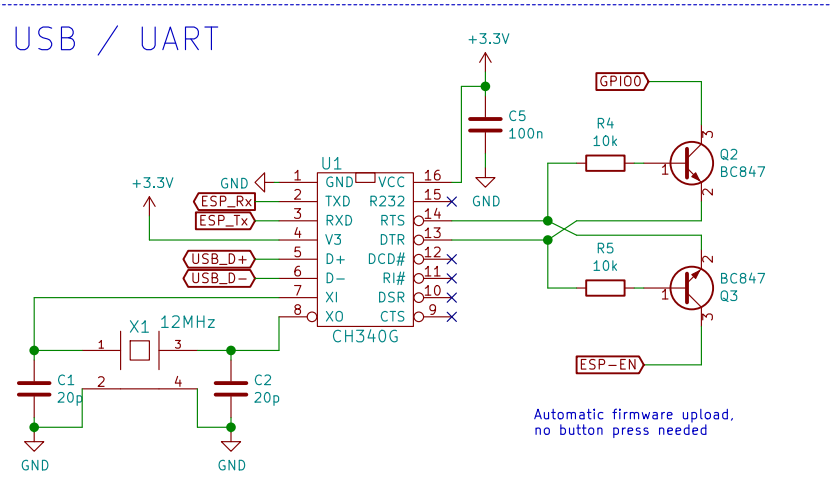
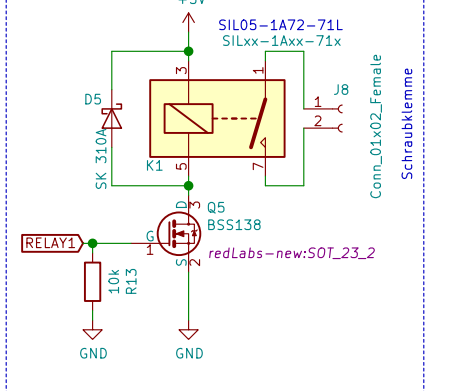


Figure 1: ESP32-WROOM-32 Pin layout

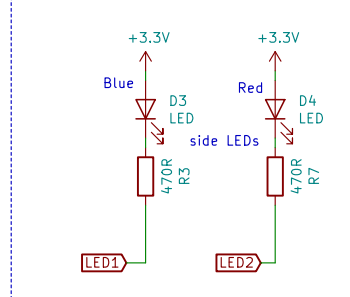
Microphone PDM



Relay



User LEDs



- FID4 stencil_position_pin
- FID5 stencil_position_pin
- FID1 Fiducial
- FID2 Fiducial
- FID3 Fiducial
- Mounting hole s for M3 screws
- H1 MountingHole
- H2 MountingHole
- H3 MountingHole
- MountingHole

redlabs	
Sheet: /	
File: 018-01.sch	
Title: redHome & Spacetube	
Size: A3	Date: 2021-06-21
KiCad E.D.A. kicad (5.1.2)-2	Id: 1/1
Rev: 018-01	