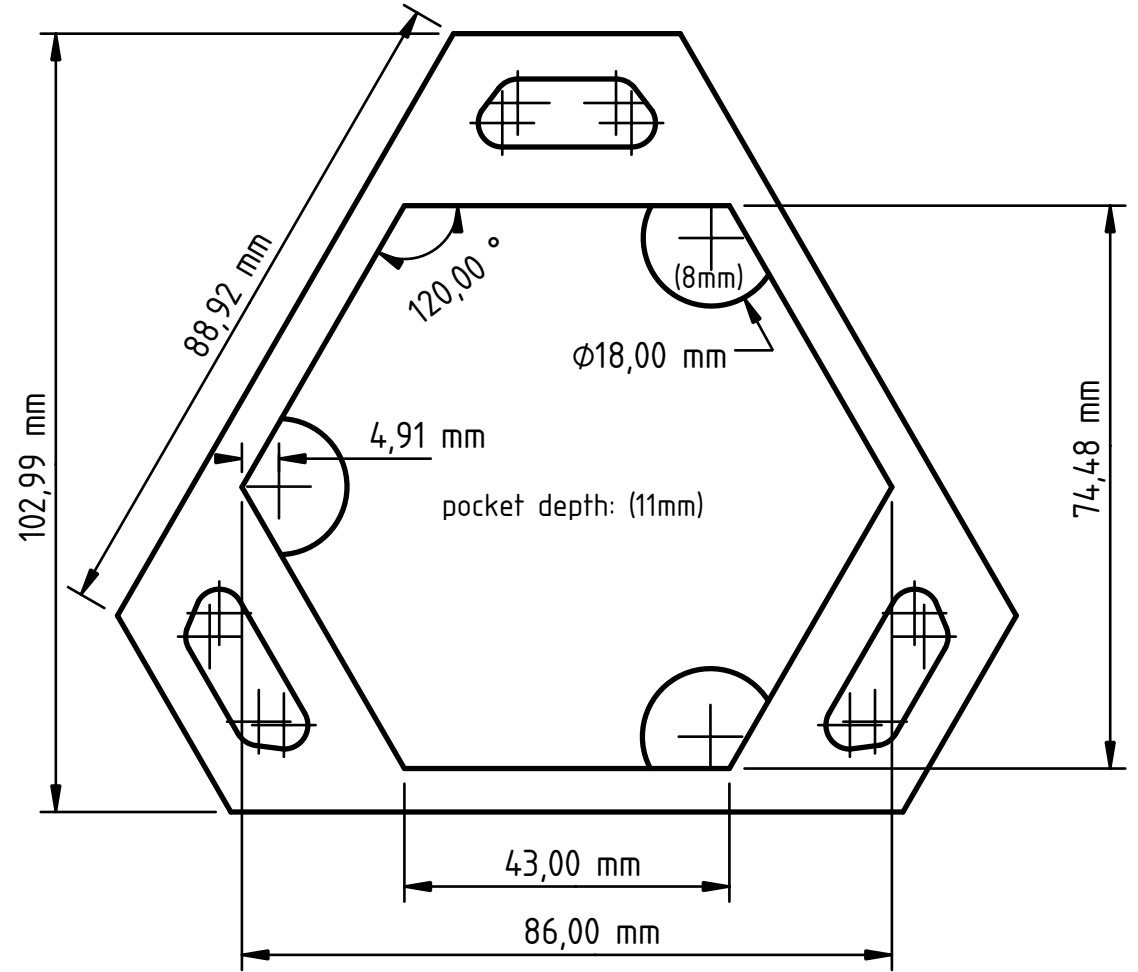
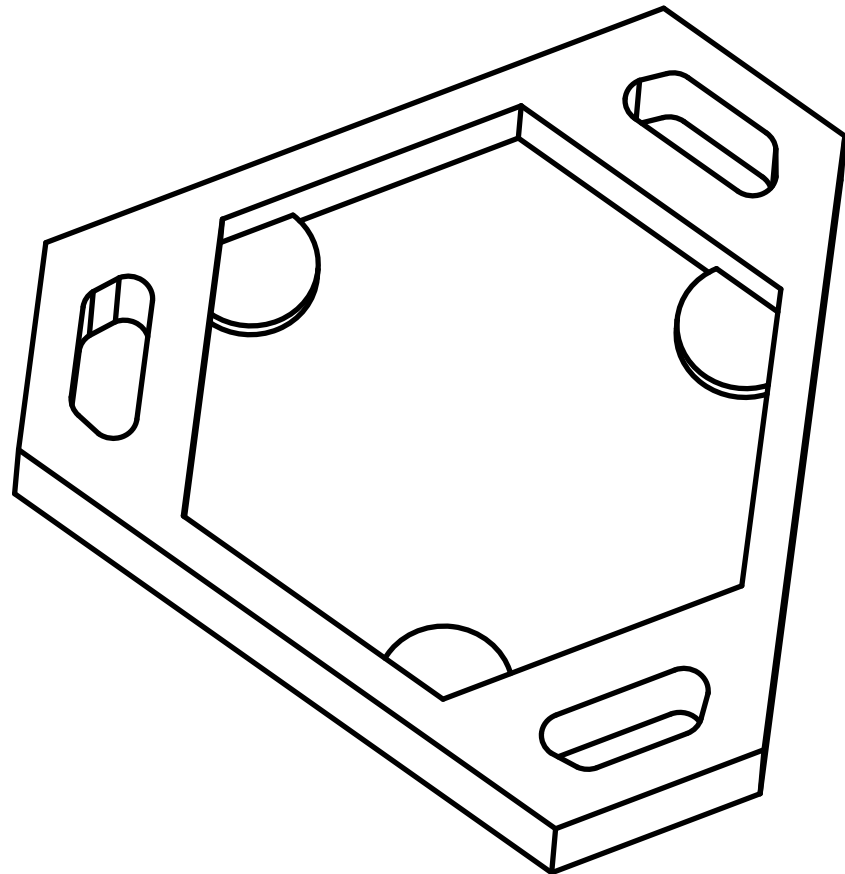



material thickness: 15mm



DESIGNED BY: <b>Julian Schindler</b>		<b>Spacetube-Base</b>		G	—
DATE: <b>25.07.2021</b>		<a href="http://www.redlabs.de">www.redlabs.de</a>		F	—
SIZE: <b>A4</b>				E	—
SCALE				D	—
1:1	WEIGHT (kg) <b>Weight</b>	DRAWING NUMBER <b>RL100301</b>	SHEET <b>1</b>	C	—
This drawing is our property; it can't be reproduced or communicated without our written consent.				B	—
				A	—